



Nuova Rade

Marine - Plastics Technology Experts

www.nuovarade.com

60065

Blower without Battery for Autonomous Fan (12Volt)

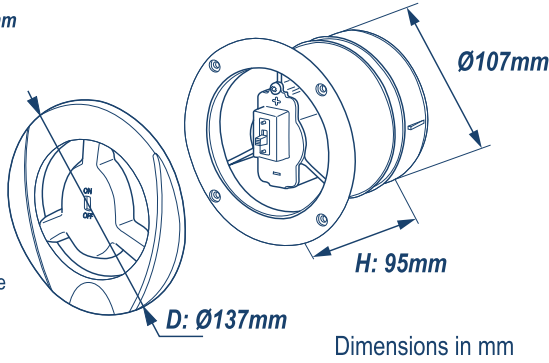
Installation Instructions

Technical Specifications:

- Operating Voltage: **12V**
- Operating Current: **16mAh**
- Rated Load RPM: **4000RPM**
- Air flow volume: **11500 L/min**
- Dimensions:
H: 95mm, D:137mm, Ø107mm
- Weight: **≈250gr**

Includes

- Ventilator body Ø107 with Fan and DC motor
- Ventilator grill Ø137
- On/Off switch
- 3meters PVC insulated cable
- WAGO connector
- Installation Instructions

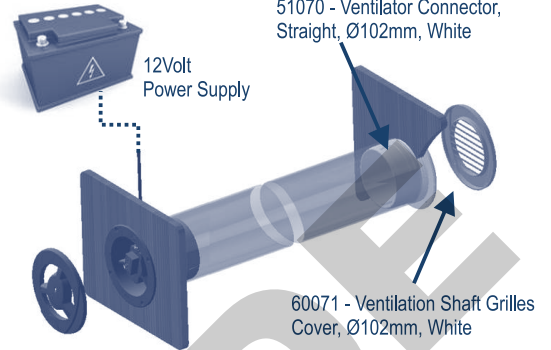


Extra Tools needed

- Electric Drill with 105mm Hole Saw
- Screw driver
- 4x M4self-tapping, Pan head screws (preferably of non corrosive material)



Picture:
M4 Self tapping
Pan Head screw



Installation Instructions

1. Mark the desired position of the "Blower w/o Battery for Autonomous Fan (12Volt)" by using the drawing pattern (ref. drawing pattern)
2. Saw the surface where the blower will be installed with appropriate tooling
Make sure there is no electrical wiring behind the drill point, to avoid short-circuit
Make sure there is enough space behind the installation position (95mm depth)
3. Remove the Ventilator's front grill (unclip).
4. Pass the 3m cable, through the hole and connect it to a 12V power supply
5. Fit the blower to the hole and screw the 4x M4 screws.
6. Clip the Front grill of the Blower back in position

Recommended / Optional:

- You can additionally add a Nuova Rade Connector For Ventilation Shaft fitted with a Nuova Rade Shaft grill (ref.code 51069, 51070, 60071)

Drawing Pattern

