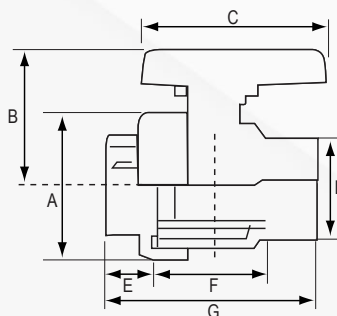




Nuova Rade
Marine - Plastics Technology Experts

PRODUCT ANNOUNCEMENT

Ball Valve, **BSPP**, Single Union, Plastic

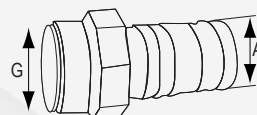


Code	A (mm)	B (mm)	C (mm)	D (inches)	E (mm)	F (mm)	G (mm)	Weight (g)
198112	68	13	80	1"	22	58	102	250
198084	96	87	103	1 1/2"	31	74	136	580
198085	116	101	120	2"	38	92	168	1030

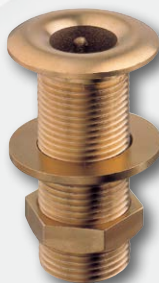
Hose Adaptor for Valve, Threaded **BSPP**, Plastic



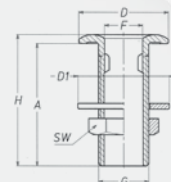
Code	G Ø (inches)	Ø A (mm)
198113	1"	32
198086	1 1/2"	50
198087	2"	60



Through hull outlet, brass



Code	Weight (gr)	SW	H	A	F	D	D1	G
90270	350	38	85	80	25	55	55	1"
90272	650	56	96	90	39	72	72	1 1/2"
90273	990	68	107	100	50	85	88	2"



BSPP Connections

