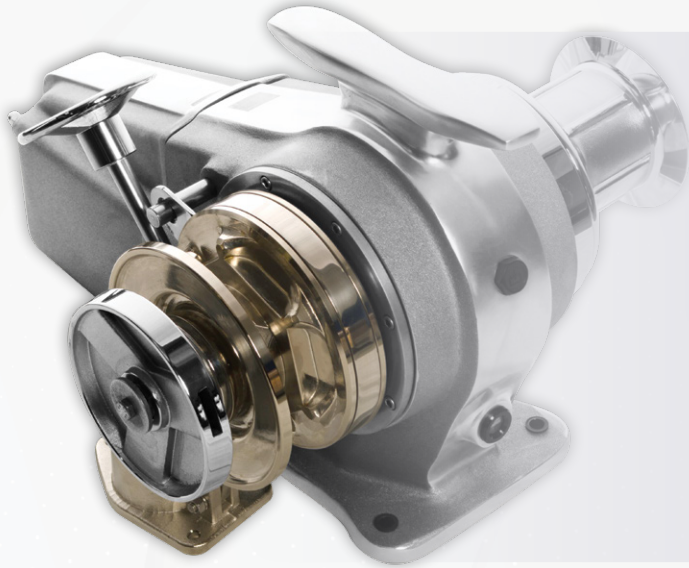


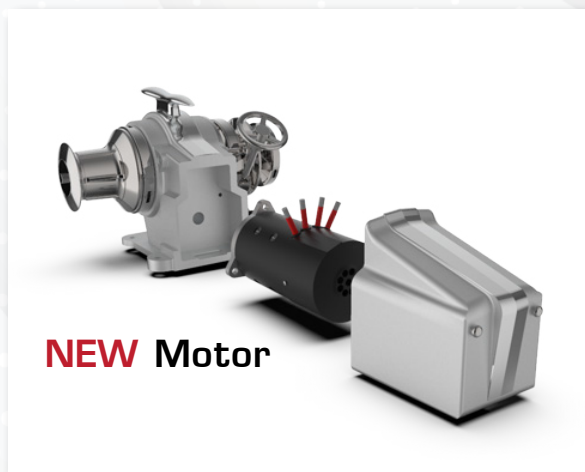
# FALKON - Horizontal Windlass

2000W

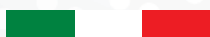


## Main features

- ✓ New special motor of 2000W for maximum pull of 2.640 kgs
- ✓ Upgraded stronger worm for durability in most critical loads
- ✓ Upgraded higher load gearbox bearings
- ✓ Suitable for boats up to 75 feet




**Made in Italy**



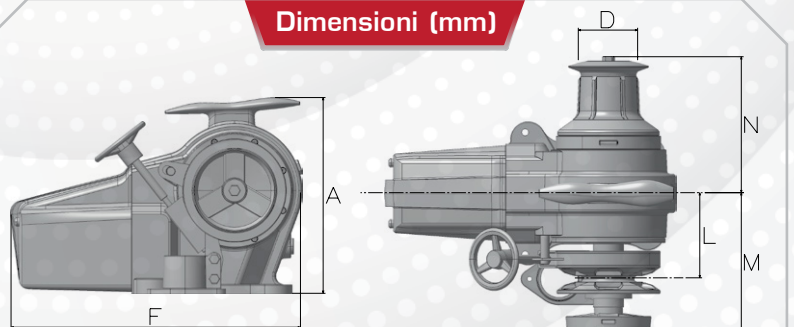
## Construction

**Anodised Aluminium**

Motor size	<b>2000 W</b>
Power Supply (V)	<b>24</b>
Maximum Pull (kg)	2640
Working Load (kg)	330
Amps at Working Load (A)	110
Line Speed at Working Load (m/min)	19
Max. Line Speed (m/min)	33
Net Weight (kg)	57

FALKON	Type		Code	
	Gypsy & Drum	12 mm, ISO 4565 / 13mm, DIN 766		<b>636606</b>
		10mm, ISO4565 / 3/8" HT		<b>636670</b>
		7/16" HT		<b>636671</b>
		1/2" HT		<b>636672</b>
2 Gypsies	10mm, ISO4565 / 3/8" HT		<b>636673</b>	

## Dimensioni (mm)



Model	Type	A	D	F	L	M	N
2000 W	Gypsy & Drum	340	Ø104	500	147	240	235
	2 Gypsies	345	-	510	147/140	238	292