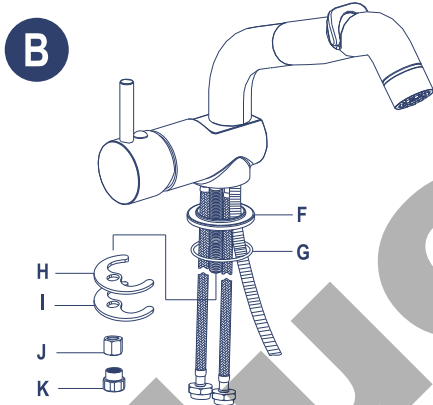
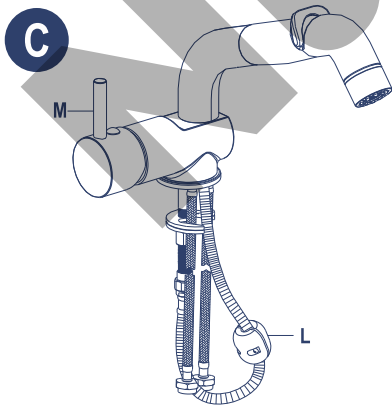


1. Close the hot and cold water supply.
2. Connect the shower (E) to the hose (D) and insert it into the main body from above.
3. Secure the screw (C) and hoses (A), (B) into the holes (C), (A) & (B) in the main body respectively. Do not use tools to screw the hoses (A) (B), as if more force than necessary is used, these may break completely or partially or cause damage to the joints.



4. Fix the O-ring (G) into the base (F) and place them beneath the main body.
5. Settle the main body on the countertop and install the mounting parts (H), (I), (J) & (K) onto the screw (C) in sequence.



6. Screw the hose (D) into the connector (K) and lock it tightly.
7. Mount the counterweight (L) onto the hose (D) to complete the installation.
8. Open the water supply and ensure the correct seal
9. Always switch off the primary control lever (M) after use.

**Features:** Adjustable amount of flow both from the mixer body handle and by the sprayer trigger.  
 Rotatable shower head to adjust the flow type, between concentrated and shower mode.